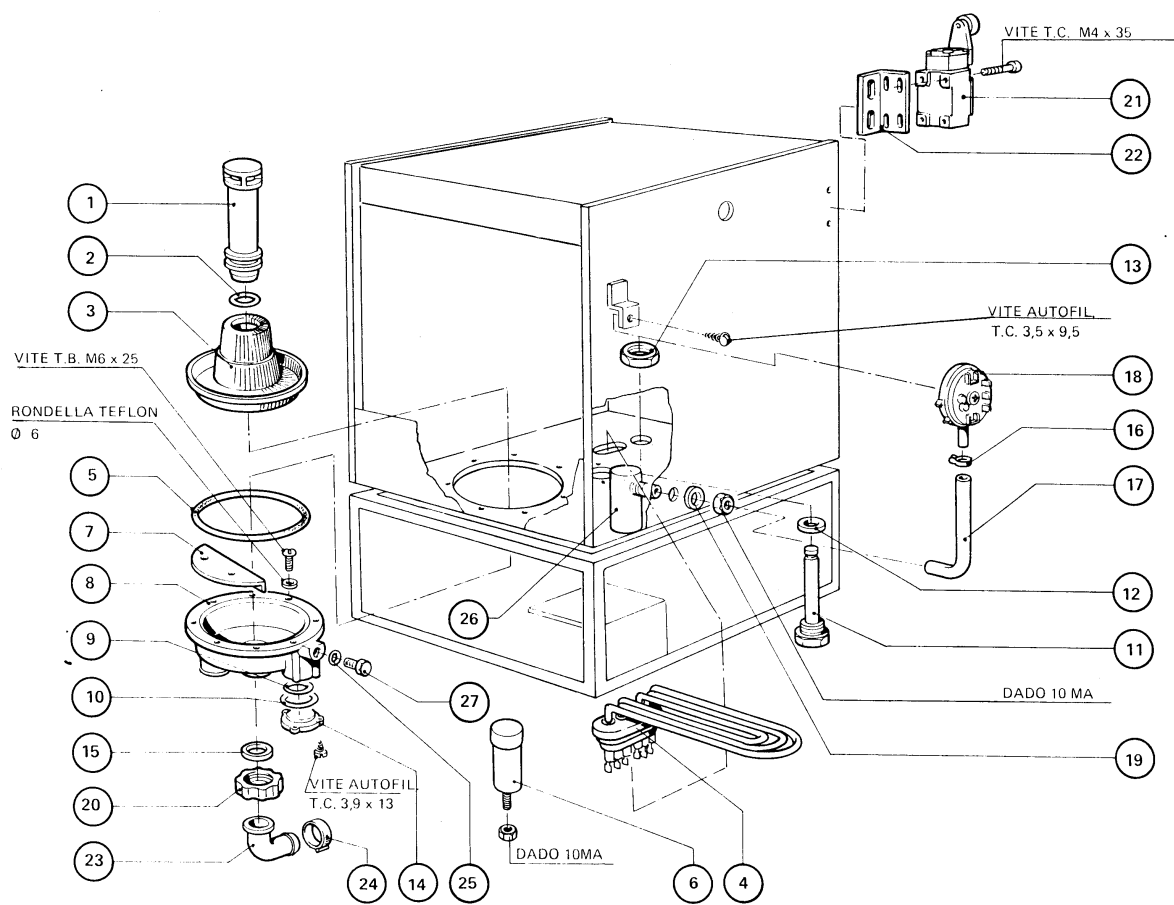


**2 - Hood**

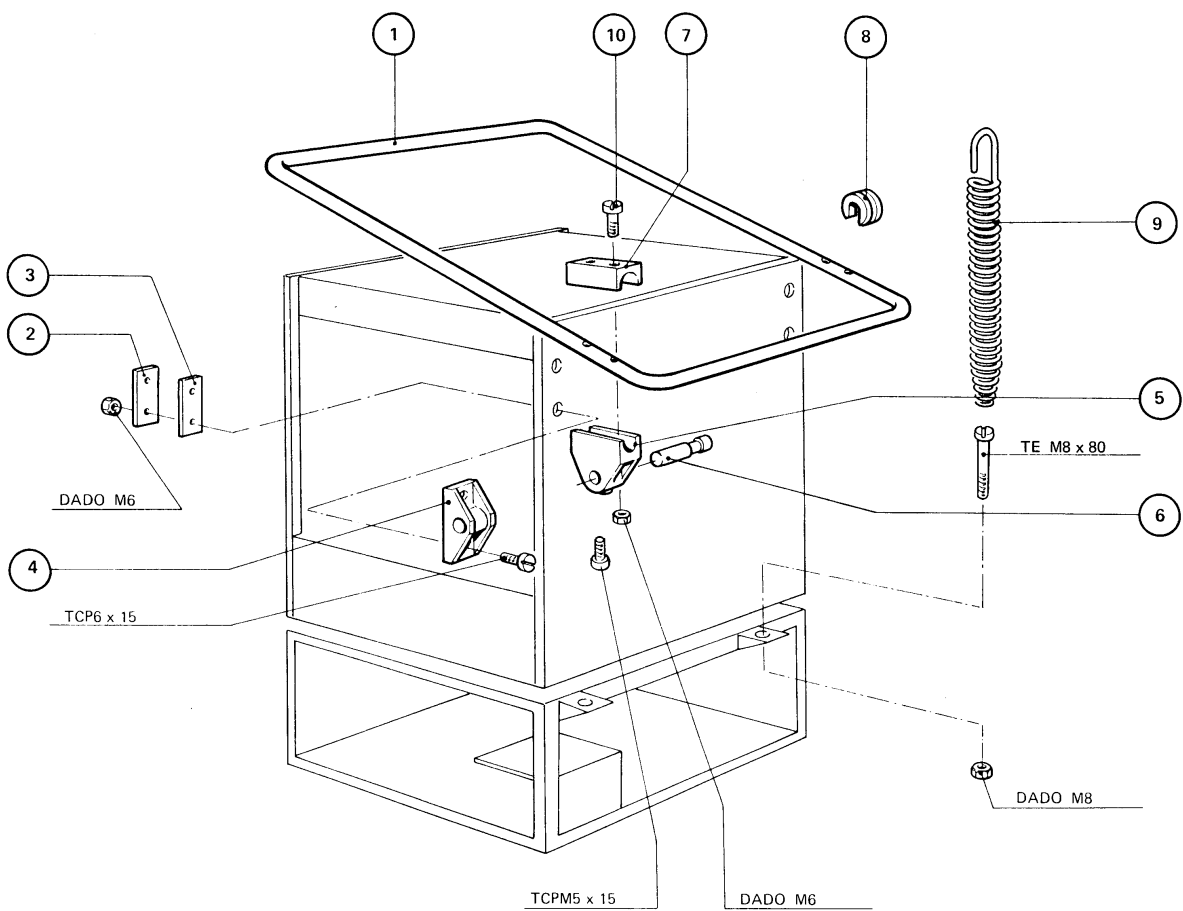
<b>CODE</b>	<b>DESCRIPTION</b>
111154	WIRING
160509	FOOT SUPPORT
160811	WASHER F2 18X8.5X1 ALGOF
161107	BACK COVER C30 C70
180605	RIGHT GUIDE F. DOOR C30-70
180606	LEFT GUIDE F. DOOR C30-70
190608	GUIDE
190804	RINSE INJECTOR
200433	SPONGY RUBBER RECT. 6X2,5 ADHE
260227	M5 X 30 MUSHROOM HEAD SCREW
320627	FIXING PLATE F.GUIDES C30-70
320863	RAIL
320927	DOOR C30 C70
330796	SPLASH GUARD C30 C70
340871	HOOD C30 2Ø SER.
350295	PANEL
350745	RIGHT BRACKET RINSE AID CONTAI
351102	FRONT PANEL C30 2Ø SERIES
391221	CHASSIS C30
440201	RUBBER FOOT D.60X10



**3 - Tank**

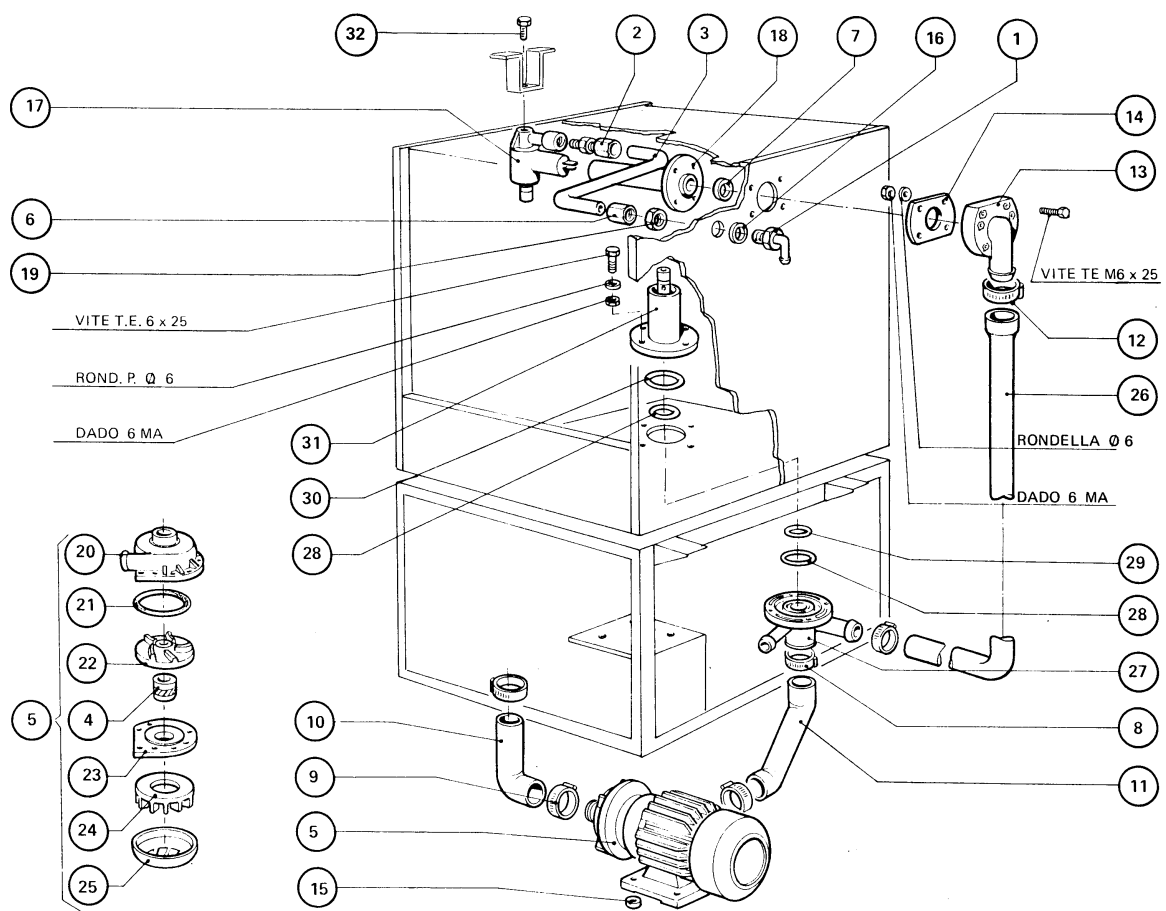
<b>CODE</b>	<b>DESCRIPTION</b>
110227	HEAT. ELEMENT 3000W 230/400V
120320	LIMIT SWITCH WITH LEVER
130605	PRESSURE SWITCH 50-30 1 LEVEL
160203	ELBOW 1"1/2 N-S-F-C /DRAIN
160731	PLUG
161301	AIR TRAP F2 C34-F45
170707	OVERFLOW PIPE H140-F2-45-55-R
180102	DRAIN PIPE NUT 1"1/2 F45-55
180218	SUCTION BASIN F2-B41
180808	STRAINER F2-45-55-80
180814	PROTECT.FILTER OF INLET PUMPE
200353	PRESS.SWITCH HOSE B23-10-1-2-C
200412	GASKET DRAIN 11/2" 45X33X3
200415	AIR TRAP GASKET -F2 18,5X10X3
200814	O-RING 34,52X41,58X3,53
200818	O-RING 1,78 X 6,75 X 10,31
200828	O-RING 183,75X190,81X3,53
200830	O-RING 37,3X44,5X3,6
200833	O-RING 30X41X44,56
260112	STAINLESS STEEL TE-SCREW 8X16
270101	HEXAGON LOCK NUT 1/2"
350742	BRACKET FOR MICRO HOOD C34-C14
450106	CLAMP FE ZN 32-44 H=12,2
450125	ELASTIC CLAMP D. 10,4X9,8
450508	-GUAINA TERM.RAME
460502	GASKET 30X21X2
631207	CONDENSER 12,5MF. 450V 85C

4 - Handle



**4 - Handle**

<b>CODE</b>	<b>DESCRIPTION</b>
190110	SUPPORT HANDLE C30 BLACK
190607	HANDLE BUSH C30-70
191013	HINGE F. SUPPORT C30-C70
191014	FLANGE F. HANDLE C30-70
200451	GASKET COUNTERFL.C30 30X100X3
260228	STAINL.ST SPECIAL SCREW 6X42 3
330917	COUNTER FLANGE F.HANDLE SUPP.C
331006	STAINLESS STEEL HANDLE C30
340493	PIN F. HINGE C30
391312	SPRING HANDLE C30-C70

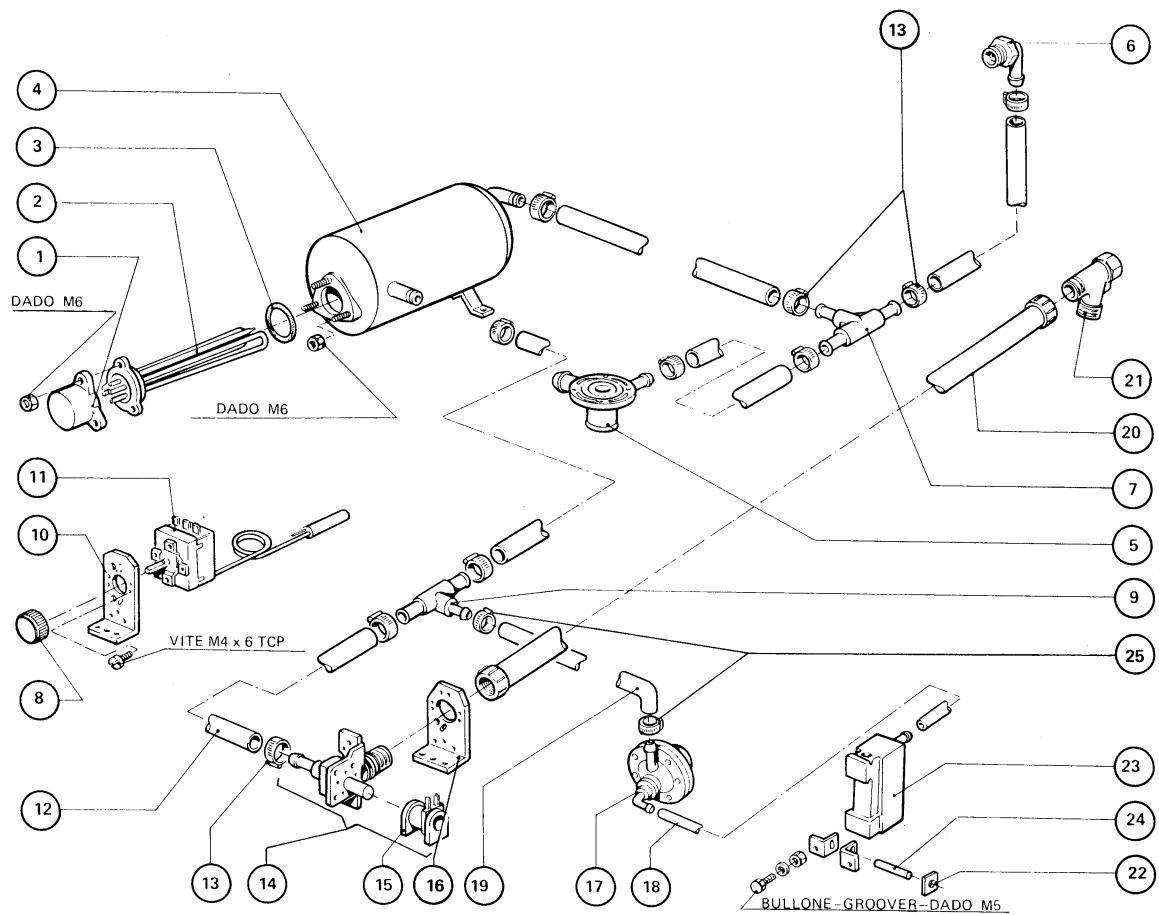


## 5 - Wash

CODE	DESCRIPTION
100384	PUMP HP 1 240/1-50HZ-1219 1219
160115	PL.TUBE.D.9.5 B41 (3/8) C30-
180123	CONNECTION NUT / RINSE 5/8 C30
180409	UPPER CONNECTOR F. WASHING C30
190203	LOWER TEE WASH-RINSE F2-45-55-
190206	UPPER WASH-RIN ARM SUPPORT C30
190309	CONNECTION STRAIGHT 3/8"B41C30
190315	ELL RINSE C30-70
191031	LOWER WASH ARM SUPPORT C30-F80
200434	GASKET CONNECTION C30 R50
200435	GASKET WASH.F2 D.40 C30-70
200457	GASKET D.24X16X3 NEOPRENE
200724	PUMP INLET HOSE C30 - C70
200725	OUTLET HOSE C30
200726	UPP./LOW. WASH HOSE C30
200806	O-RING 2,62X13,10X18,34
200820	O-RING151 46,99X5,33X57,6
200829	O-RING 81,92X92,58X5,33
210202	RUBBER FOOT GLASSWASHER
261005	SCREW F. TEE UP.WASH F2-B41
270118	NUTS FOR ELBOW 5/8 C30-70
420310	LOW./UPP.WASH PIPE C30 - 70
450107	CLAMP FE ZN 38-50 H=12,2
450114	CLAMP FE ZN.22-32 H=12,2
450135	CLAMP FE ZN. 44-56 H=12,2
630113	VOLUTE FIR HP0,5-1,55
630214	FLANGE PUMP HP0,75-1-1,5
630219	FAN HOUSING FIR HP.0,75-1
630303	FAN IMPELL.OF PUMP HP 0,5-0,7
630410	O-RING PUMP FI HP0,5-0,75-1
630510	PUMP SEAL HP0,5-0,75
631627	PUMP IMPELLER FI D103 HP 1-1,5



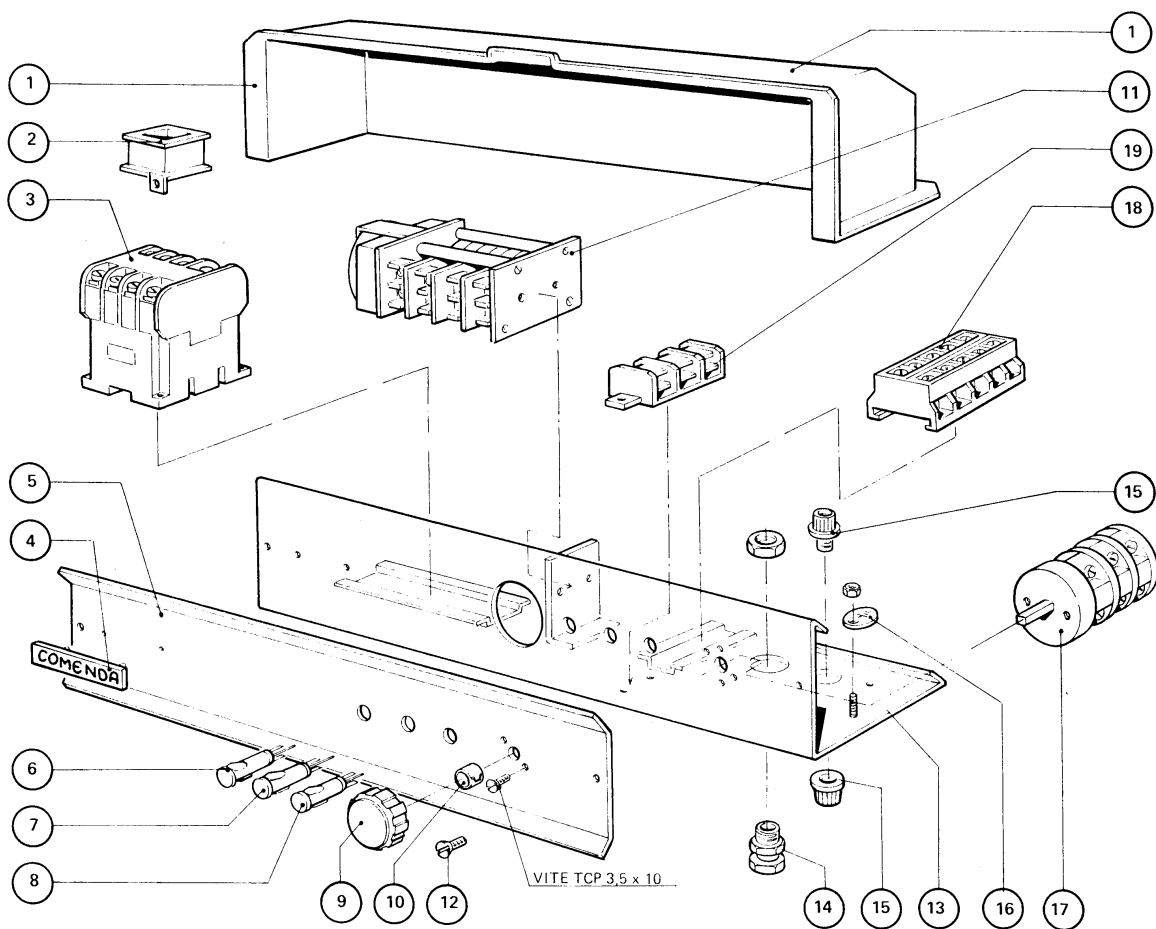
## 6 - Rinse assembly



## 6 - Rinse assembly

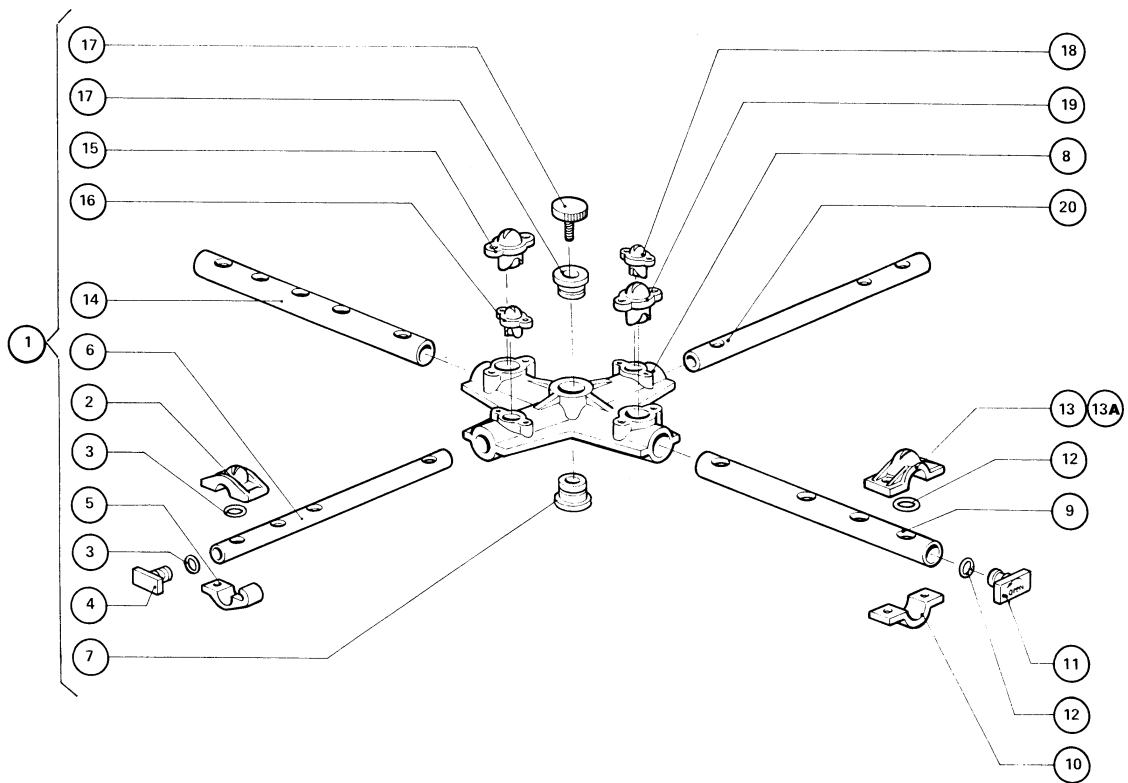
CODE	DESCRIPTION
110331	HEAT.ELEMENT 4200W 230/400V
120145	SOLENOID VALVE 12 LT 1 WAY
120501	THERMOSTAT 30/90°C
160108	INJECT.INLET HOSE D.8X5
161102	ELEMENT COVER MOPL.
180403	TEE-NIPPLE F2-F300-B10-11
180408	TEE-NIPPLE F.INJECT.W/CENTR.RE
190203	LOWER TEE WASH-RINSE F2-45-55-
190315	ELL RINSE C30-70
190804	RINSE INJECTOR
200113	RUBBER HOSE 12 X 22
200374	HOSE 8X15X220
200715	HOSE WATER INLET 2M STAINL.ST
200815	O-RING F. HEAT.ELEM.
330307	BOOSTER
330725	STANDARD BRACKET F.SOLEN.VALV
330754	BRACKET F.2 THERMOSTATS
340484	SHAFT F. RINSE AID CONTAINER
450102	CLAMP FE ZN 11-17 H=9
450103	CLAMP FE ZN. 13-20 H=9
450315	KNOB F. THERMOSTAT 90°
450812	SPRING FOR SPINDLE (CODE NO.34
620120	RINSE AID INJECTOR
620209	INLET WATER FILTER
630969	COIL S4216 220/50HZ

## 7 - Control Box



**7 - Control Box**

<b>CODE</b>	<b>DESCRIPTION</b>
120217	TIMER 3 WASHING-CYCLES 90-120-
120434	CONTACTOR 9A 220V 50HZ
120713	SWITCH 15 AMP FIVE-POLE 361552
130103	RED LIGHT 220V FAST33220
130115	GREEN LIGHT 220V
130116	YELLOW LIGHT 220V C30
130303	FASTON BLOCK
150219	TERMINAL BLOCK 5P MMQ165VD26
150813	CABLE HOLDER 1"
150818	CABLE HOLDER PG 13,5
161106	COVER
180111	BLACK KNOB
300156	SCREW 5MAX20 F.PLATE B10
340246	SUPPORT
440817	SNAP RING LSCB/1853/17/00
460121	"EARTH" PLATE
460159	LABEL
460171	CONTROL PANEL ALU BLACK C30
630954	COIL 9-12A 220V X1



8 - Wash arm

CODE	DESCRIPTION
160718	PLUG F. RINSE ARM F2-C34M
160719	PLUG FOR WASH ARM D.18
170704	RINSE NOZZLE BOTTOM F-B-C33
170911	RINSE JET B23-F2-C34
170915	RIGHT JET B-F
170916	LEFT JET B-F
170927	WASH JET F2-C-GRAY
170928	IDLE JET F2-C-GRAY
170929	RINSE JET F2-C-GRAY
170930	IDLE JET F2-C-GRAY
180213	FLANGE F.JET LOCKING F2-C34
190617	BUSH
191022	WASH ARM CENTRAL CROSS F-B
200818	O-RING 1,78 X 6,75 X 10,31
200824	O-RING 1,78X12,42X15,98
261004	RETAIN.SCREW WASH-RINSE ARM(26
331359	WASHING TUBE
331360	WASHING TUBE
331361	TUBE RINSE
331362	TUBE RINSE
420515	WASH-RINSE ARM F45-C85